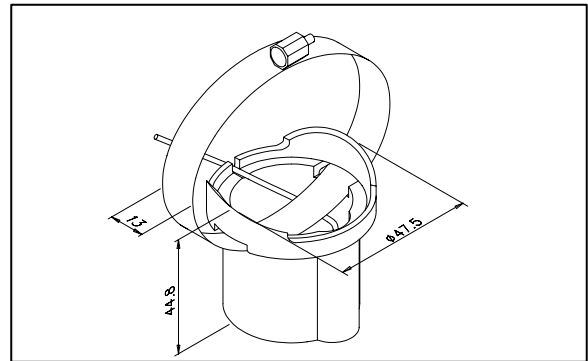




Dimensions: dimensions are in mm



Specification

200LM450	Transceiver
Center Frequency	200±10.0Khz
Bandwidth (FOM -6dB)	25Khz
Transmitting Sound Pressure Level	160dB min.
0dB re 1µPa per 1Vrms at 100cm	
Receiving Sensitivity	-180dB min.
0dB = 1 volt/µPa	
Submerged Impedance (Ohm)	200
Capacitance at 1Khz	±20% 2000 pF
Input Power (Pulse Drive)	50 Watts
Total Beam Angle	-6dB 20°
Cable Length	4.5 m
Molded Connector	RCA Phono plug 90°
Housing Material	Plastic resin

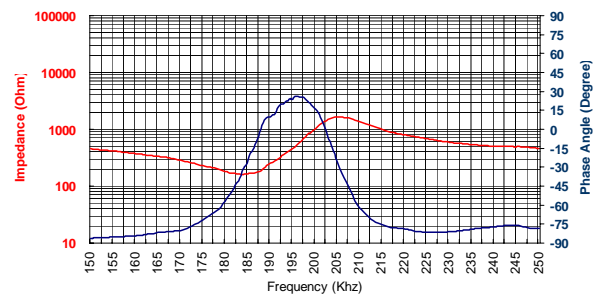
Closer frequency tolerance, shorter ringing and wider bandwidth models can be supplied upon request.

Model available:

1	200LM450	Plastic Housing
---	----------	-----------------

Submerged Impedance/Phase Angle vs. Frequency

Tested under 1Vrms Oscillation Level



Receiving /Transmitting Sensitivity

Tested at distance of 100cm

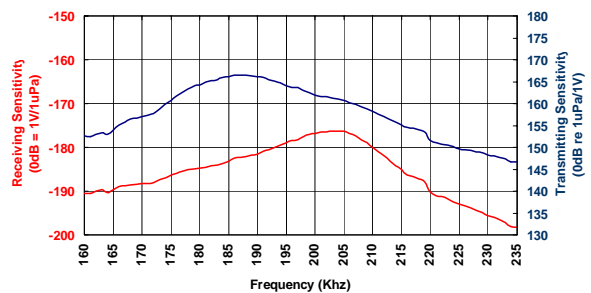


Figure of Merit

(Receiving Sensitivity + Transmitting Sensitivity)

